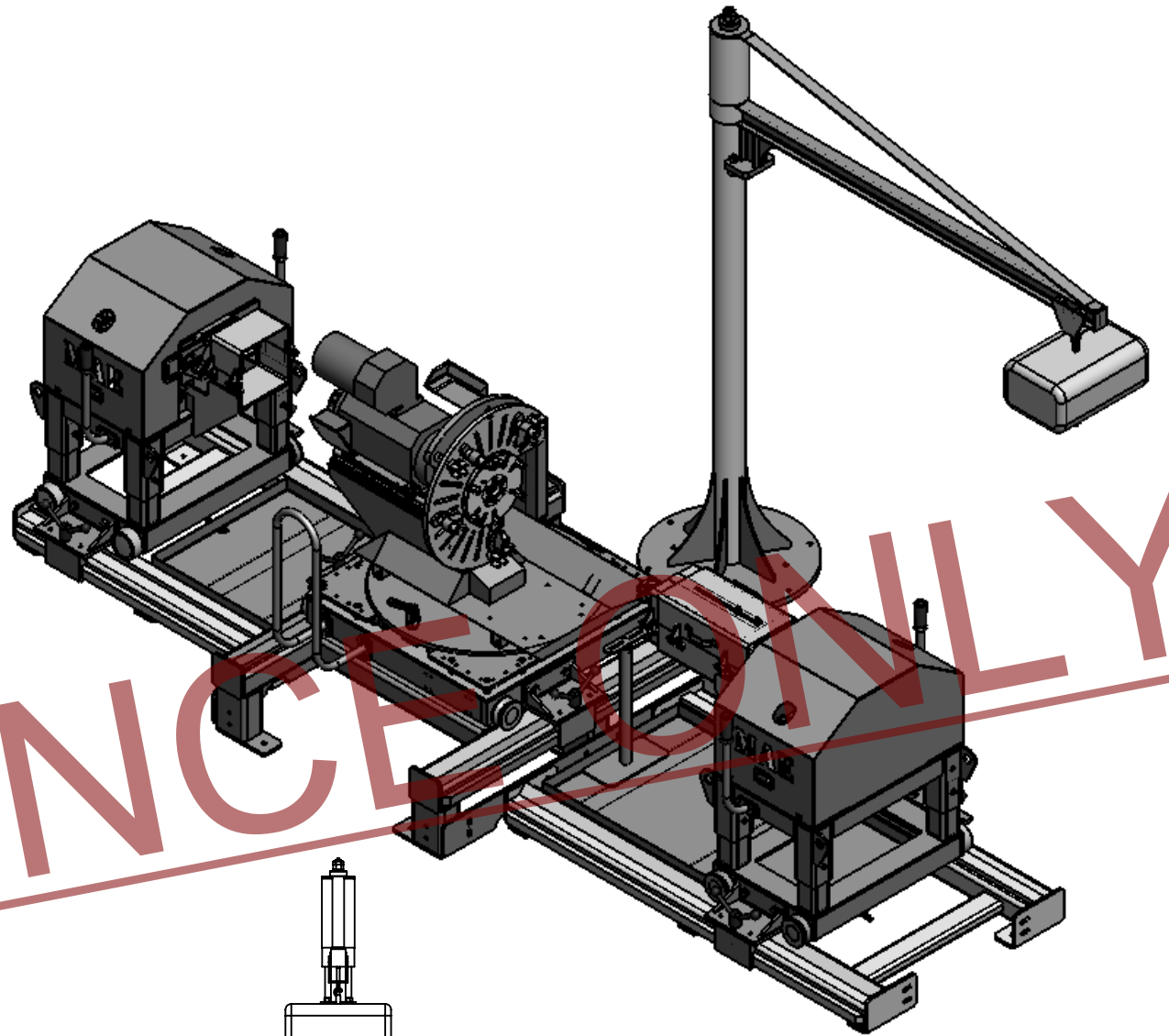
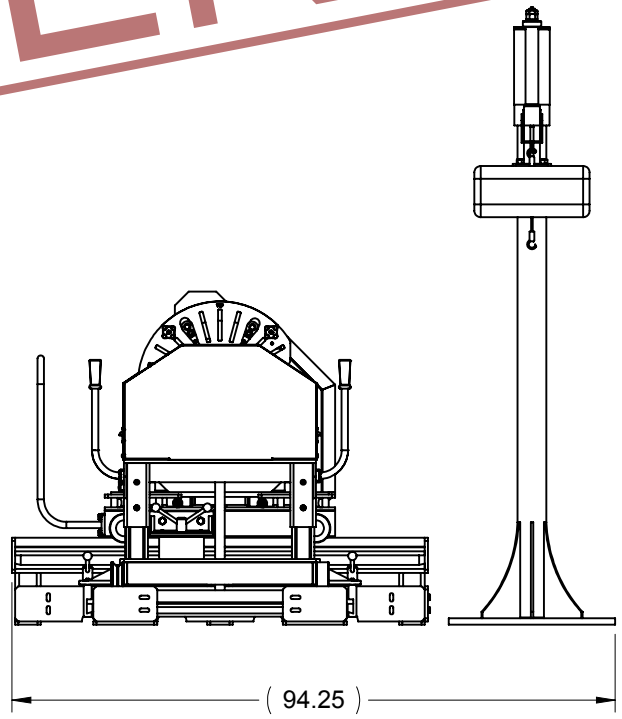
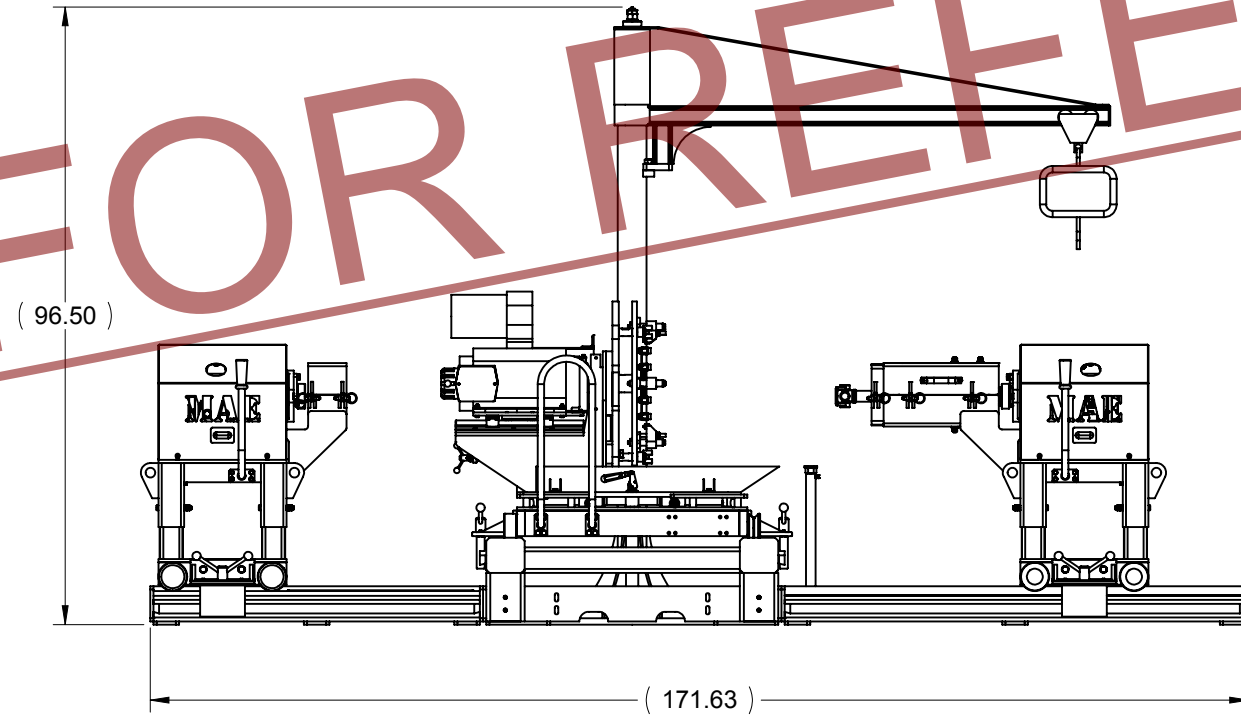
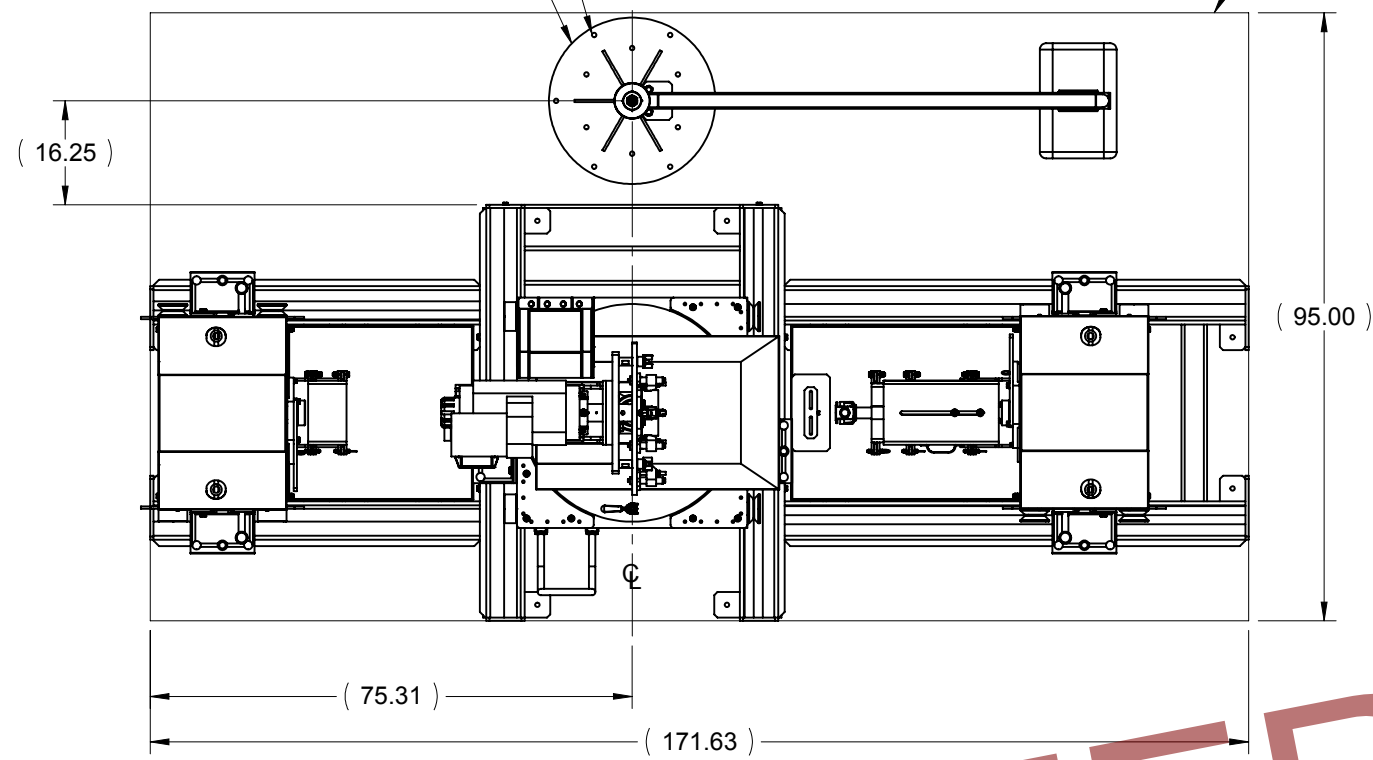


ALL ANCHOR POINTS MUST BE USED, 4.00 MIN EMBEDMENT DEPTH
 RECOMMENDED JIB CRANE PLACEMENT
 MINIMUM REQUIRED FOOTPRINT



FOR REFERENCE ONLY

- ELECTRICAL REQUIREMENTS:**
1. MOTOR DRIVE: 460 VOLT / 3 PHASE / 60 HZ / 75 AMP FUSED DISCONNECT
 2. MUSTANG CONTROL BOX: 230 VOLT / 1 PHASE / 60 HZ / 60 AMP FUSED DISCONNECT
 3. COMPUTER ROLLAROUND CABINET: 1 STANDARD 115 VOLT WALL OUTLET
 4. OIL FILL AND PURGE (OPTIONAL): 1 STANDARD 115 VOLT WALL OUTLET
 5. CRANE (OPTIONAL): 1 STANDARD 115 VOLT WALL OUTLET

THIS DOCUMENT IS THE PROPERTY OF MUSTANG DYNAMOMETER AND IS DELIVERED ON THE EXPRESS CONDITION THAT IT IS NOT TO BE DISCLOSED, REPRODUCED IN WHOLE OR IN PART, OR USED FOR MANUFACTURE FOR ANYONE OTHER THAN MUSTANG DYNAMOMETER WITHOUT ITS WRITTEN CONSENT, AND THAT NO RIGHT IS GRANTED TO DISCLOSE OR SO USE ANY INFORMATION CONTAINED IN SAID DOCUMENT.
 THIS RESTRICTION DOES NOT LIMIT THE RIGHT TO USE INFORMATION OBTAINED FROM ANOTHER SOURCE.
 REF: N/A

		TITLE: UNIVERSAL TRANSMISSION DYNE, LIGHT DUTY 40 HP, MD-EDU-TECH					
		DO NOT SCALE DRAWING					
TOL: INCH [MM] MACH. PARTS: .XX ± .01 [.25] .XXX ± .005 [.127]		DRAWN: JB	DATE: 18NOV10	APP: JB	DATE: 05AUG10	SCALE: 1:48	UNITS: IN[MM]
FAB. PARTS: .XX ± .06 [.152] .XXX ± .005 [.127] ANGULAR ± 1°		SIZE: B	DWG NO. 20047446		SHEET 2 OF 2	REV: A	

FILE LOCATION: M:\2004\5000-7499\20047446